



FEATURES

- Low profile & Easy installation
- High accuracy
- Protection class IP66

Material

- Nickel plated steel

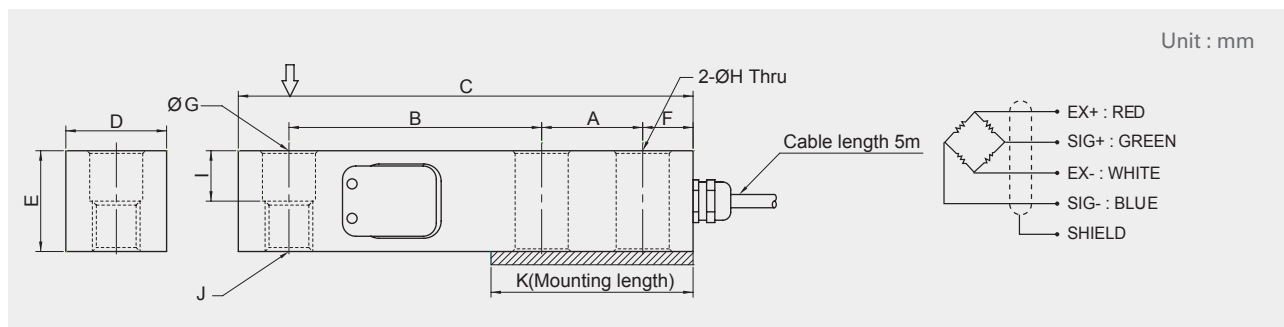
Cable

- Braided shield 4-wire round cable with PVC - jacket

Mounting

Capacity	Hexagon head-bolt	Tightening torque
250 kgf ~ 2 tf	M12 x 1.75 (10.9)	100Nm
3 tf	M18 x 1.5 (10.9)	350Nm
5 tf		

DIMENSIONS



Model	Capacity	A	B	C	D	E	F	G	H	I	J	K
CBSA - 250L	250 kgf	25.4	76.2	130	32	32	15.8	13.5	13.5	16	M12x 1.75	52
CBSA - 500L	500 kgf											
CBSA - 1tf	1 tf											
CBSA - 2tf	2 tf											
CBSA - 3tf	3 tf	38.1	95.3	171.5	38	38	19	20	20	19	M18 x 1.5	76.2
CBSA - 5tf	5 tf											

SPECIFICATIONS

Max. Capacity		kgf, tf	250, 500 kgf, 1, 2, 3, 5 tf
Rated output		mV/V	3.0 ± 0.0075
Zero balance		mV/V	0.0 ± 0.03
Combined error		%RO	0.03
Repeatability		%RO	0.01
Creep (30min.)		%RO	0.03
Temperature effect on	Zero value	%RO/10°C	0.028
	Output value	%RO/10°C	0.015
Excitation	Recommended	V	10
	Maximum	V	15
Resistance	Input	Ω	350 ± 3.5
	Output	Ω	350 ± 3.5
	Insulation	MΩ	> 2,000 @50V DC
Compensated temp. range		°C	-10 ~ +40
Operating temp. range		°C	-20 ~ +80